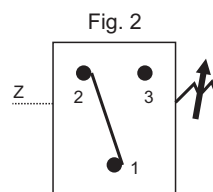


Approximate Weight : 0.550 Kg.

Some Applications :

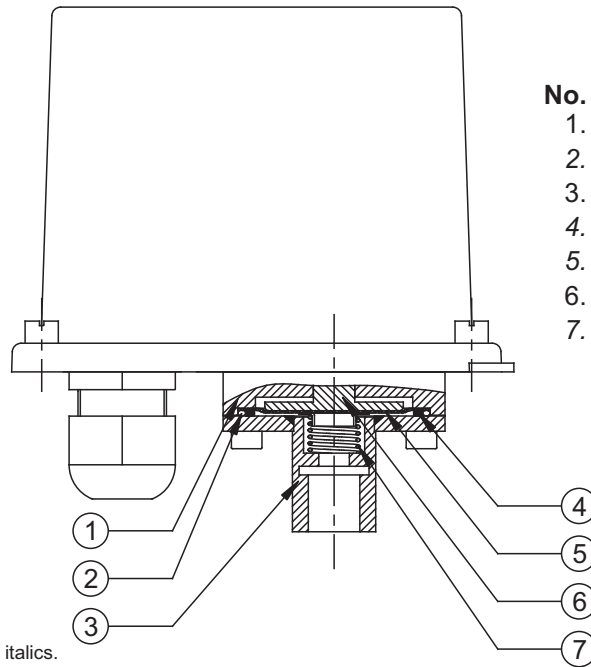
Used in humid or slightly corrosive atmosphere like jet dyeing machines, etc.

Electrical Connection :





PRESSURE CAPSULE DETAILS

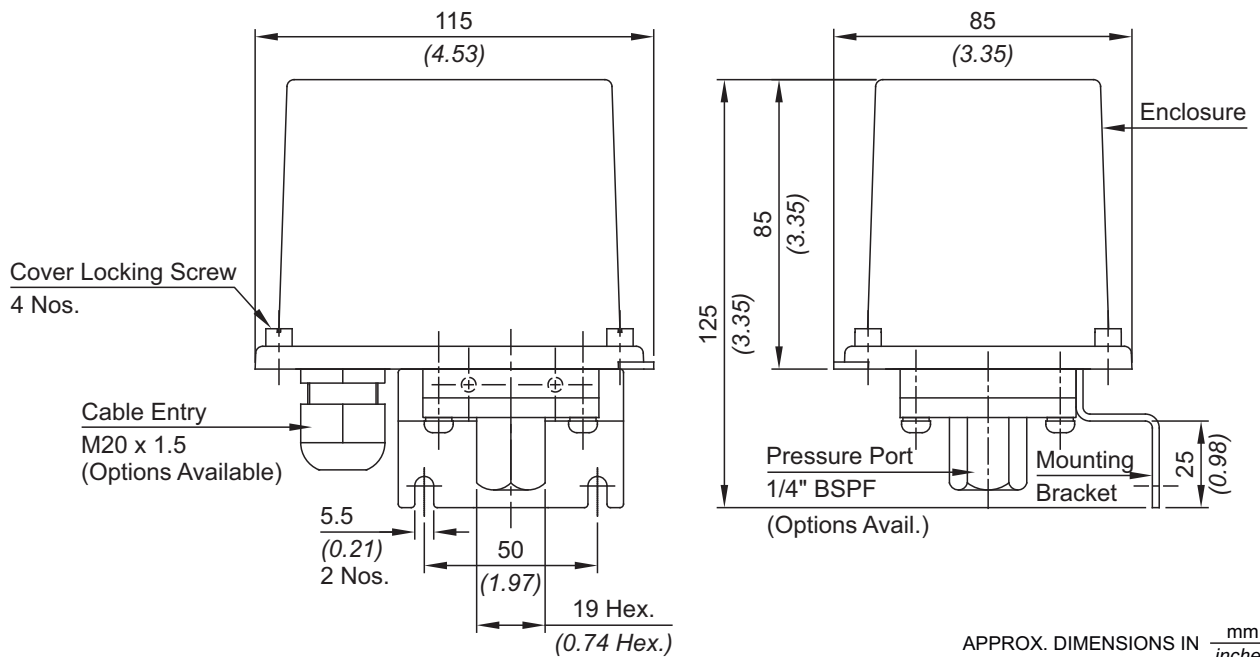


No. Description

1. Disc
2. O-Ring (PTFE®)
3. Pressure Housing (SS316)
4. Steel Ring (SS316)
5. Diaphragm (PTFE®)
6. Plunger (SS316)
7. Spring (SS316)

Note : *wetted parts* are mentioned in italics.

INSTALLATION DRAWING



APPROX. DIMENSIONS IN $\frac{\text{mm}}{\text{inches}}$

RANGE SELECTION TABLE

Range Code	Range bar (psi)	Differential* bar (psi)	Maximum Working Pressure bar (psi)
		Approximate Maximum for "A1" microswitch	
C01	-1 to 1.0 (-14.50 - 14.50)	0.2 (2.90)	12 (174.05)
C02	-1 to 1.5 (-14.50 to 21.75)	0.3 (4.35)	12 (174.05)
C03	-1 to 2.6 (-14.50 - 37.71)	0.4 (5.80)	12 (174.05)
C04	-1 to 3.6 (-14.50 - 52.26)	0.6 (8.70)	12 (174.05)
C07	-1 to 7 (-14.50 - 101.526)	0.8 (11.60)	12 (174.05)

Note:

1. The minimum differential increases with the setpoint. The differential values mentioned in the above table are approximate maximum for FSR. The differential value will vary according to the pressure range selected and microswitch type. For actual values of differential please contact sales office.

2. When using 2SPDT switching arrangement, both microswitches may not actuate and/or deactuate at the same point. A small stage gap, normally upto +/- 5% FSR (depending on range code) may be observed. The On-Off differential (hysteresis) typically tends to be atleast double of those published for 1SPDT pressure switches.

If actuation and/or deactuation at same point is critical part of operation, then it can be achieved by using a separate DPDT relay. This relay will need a separate power supply for it's coil.

HOW TO ORDER INDUSTRIAL HIGH RANGE COMPOUND SWITCHES

Group 1	Group 2	Group 3	Group 4	Group 5	Group 6	Group 7	Group 8
Non standard allocation	Gas Group Classification	Cable Entry Size	Switch Type	Range Code (values in bar)	Microswitch Type	Pressure Port Material / Size	Diaphragm
<input type="checkbox"/> A prefix "N" is used in the model code in case of any non standard options / accessories that are provided with the switches. Will be given by manufacturer, only after agreement of supply details with customer.	MZ = Process pressure switch with a weatherproof enclosure rated IP66/IP68 as per IS/IEC 60529	1 = Polycarbonate Enclosure 1/2" NPT threads 2 = Polycarbonate Enclosure 3/4" NPT threads 3 = Polycarbonate Enclosure M20 x 1.5 threads 4 = Diecast Al. Enclosure 1/2" NPT threads 5 = Diecast Al. Enclosure 3/4" NPT threads 6 = Diecast Al. Enclosure M20 x 1.5 threads 7 = SS Enclosure 1/2" NPT threads 8 = SS Enclosure 3/4" NPT threads 9 = SS Enclosure M20 x 1.5 threads	CF1 = compound switch, fixed differential without scale CF2 = compound switch, fixed differential with scale in bar *CA1 = compound switch, adjustable differential without scale *CA2 = compound switch, adjustable differential with scale in bar	C01 = (-1 to 1.0) C02 = (-1 to 1.5) C03 = (-1 to 2.6) C04 = (-1 to 3.6) C07 = (-1 to 7)	A8 = General purpose microswitch A7 = 2SPDT microswitches A9 = General purpose microswitch	S1 = SS316 / 1/4" BSP(F) S2 = SS316 / 1/4" NPT(F)	0 = Neoprene 1 = PTFE 2 = SS 316L
The prefix is subject to change as per specific requirement.	Note : Contact sales office for IP 68 enclosure	Note : For dual cable entries contact sales office	*Available only with option A7 and A9 in Group 6		* Please refer to page nos. 290 & 291 for options and specifications of microswitches Please contact sales office for additional information	More options available, please contact sales office	

eg. An industrial switch for gas group IIC, with 1/2" NPT cable entry in aluminium housing as 1SPDT pressure switch, having -1 bar to +1 bar pressure range, with 15Amp. microswitch, SS316 pressure housing with 1/4" BSP port size & Neoprene diaphragm shall be specified by

Group 1	Group 2	Group 3	Group 4	Group 5	Group 6	Group 7	Group 8
<input type="checkbox"/>	MD	1	CF1	C01	A8	S1	0

Please specify full model number to avoid ambiguity. If only the first two groups are specified while ordering, uncalibrated switches with standard wetted parts and enclosures will be supplied.